



SLOWSTOP® BOLLARDS

INSTALLATION AND ASSEMBLY INSTRUCTIONS

Materials

- 1—Base
- 1—Elastomer
- 1—Adapter with Set-Screws
- 1—Tube
- 1—Cap
- 4 to 8—Screw Anchors depending on model

Tools Required

- Hammer Drill
- 5/8" Drill Bit
- Impact Wrench
- 15/16" Impact Socket
- Vacuum or Compressed Air with nozzle
- 6mm / 8mm Allen Wrench (3" / 4"-6")
- Mallet

Notes

1. Assembly and installation should be performed by qualified personnel only.
2. Installation to be performed in unbroken concrete only.
3. Bollards must be properly sized for expected loads and speeds. Consult www.slowstop.com.
4. Study Figure 1 to understand the arrangement of all parts.
5. Pipe used must be schedule 40 steel.

Installation and Assembly

1. Layout and mark final location using the base as a guide. Remove base. *Note: Keep the bollard 0.32 x height away from any solid object to allow for tilting.*
2. Place the elastomer in the center of the location and place adapter on top of elastomer.
3. Fit base over the adapter so that it rests on the adapter flange and covers the elastomer.
4. Again using the base as a guide, drill four, six, or eight (as required) 5/8" holes deep enough to completely sink the anchors. Clean out the holes from concrete dust.
5. Tighten the concrete screw Anchors in a star pattern, compressing the elastomer and making the base flush to the concrete. Anchor head must be tightened flush to base.
6. Insert the tube into the adapter and firmly tighten all set-screws to hold it in place.
7. Place the cap in the top of the tube and gently pound it in place using a mallet.
8. When complete, the assembly should appear like Figure 2.

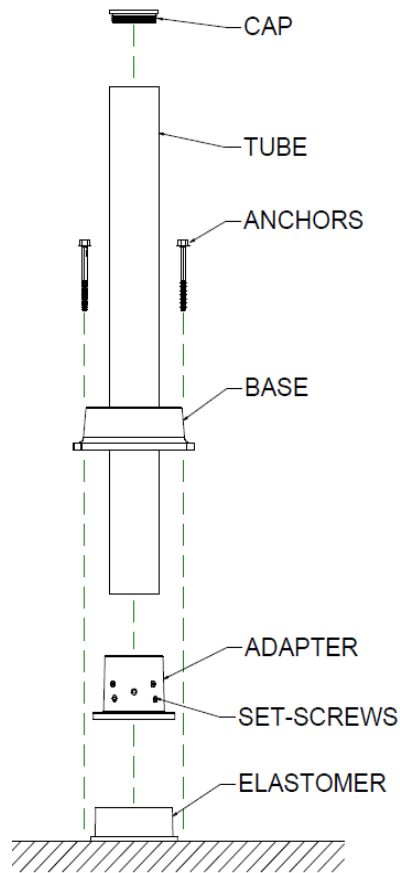


Figure 1

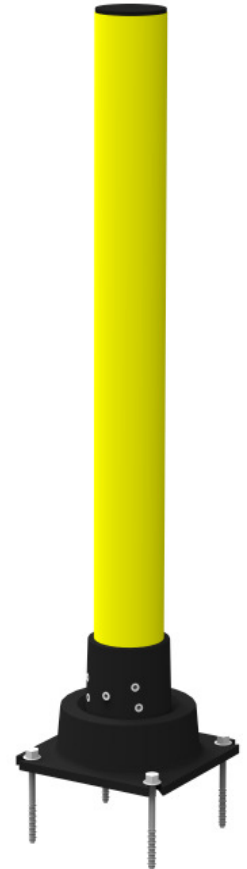


Figure 2

Tip: Do not concrete fill of the bollard. The system is designed for the pipe to be the first point of bending



SLOWSTOP® BOLLARD FENCING CONNECTORS INSTALLATION AND ASSEMBLY INSTRUCTIONS



Notes

1. SlowStop Bollard connectors can be used to create various fencing and guarding configurations.
2. *Study engineered drawing to understand the arrangement of all parts.* Pipe is cut to precise lengths for proper installation.
3. Understand basic SlowStop Bollard installation instructions from reverse side.
4. Fencing must be properly sized for expected loads and speeds. Consult www.slowstop.com.
5. Pipe used must be schedule 40 steel.
6. 4" cross connectors should be installed with the long legs oriented vertically.
7. 3" tee and cross connectors allow for some piping to slide all the way through the connector.

Installation and Assembly

1. It is best to pre-assemble (whenever possible) upper fencing sections to properly align base placement.
2. Slide cut length of pipe onto connectors and firmly tighten all set-screws. Pipe should seat against bulkhead if present.
3. Layout and mark base locations using the pre-assembled fencing as a guide. Mark base holes. *Note: Keep the fencing 0.32 x height away from any solid object to allow for tilting.*
4. Install the bases in marked locations as one would in steps 2-5 on the reverse side.
5. Insert the fencing uprights into the bases and firmly tighten all set-screws to hold in place.

