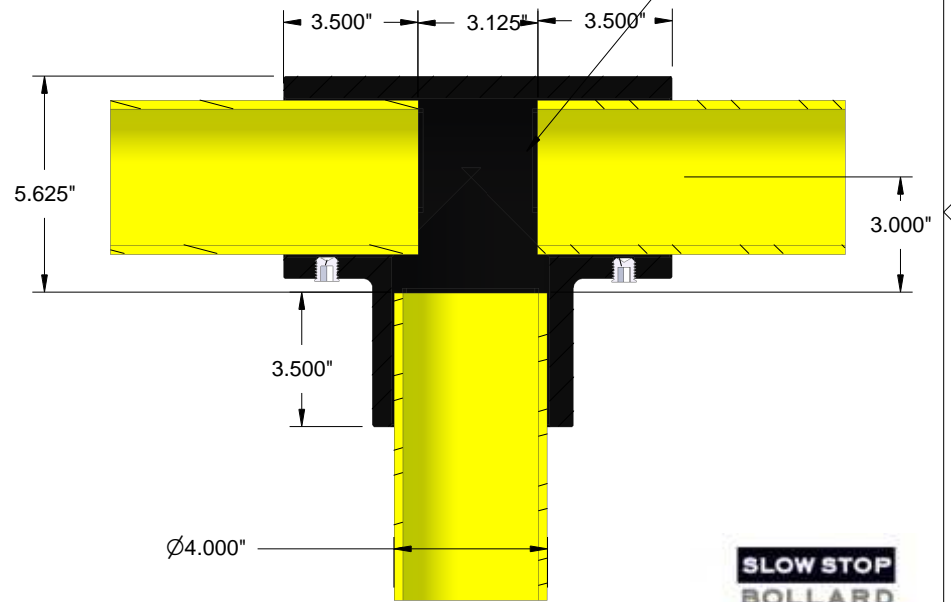


PIPE SHOWN FOR REFERENCE



PIPE DOES NOT PASS THROUGH



Section A-A

**SLOW STOP
BOLLARD**



**IMPACTrecovery
SYSTEMS**
"Performance for a Safer Tomorrow"

CONFIDENTIAL & PROPRIETARY

The drawing on this print and the information therewith are property of Impact Recovery Systems, Inc., and shall not be used or discussed in whole or in part without the consent of Impact Recovery Systems, Inc.

4955 STOUT DR. · SAN ANTONIO, TX 78219 · (800) 736-5256

SIZE
A

PART NO.

DWG.

SLOWSTOP 4" TEE CONNECTOR

REV
A

SCALE 1 / 5

IMPACT RECOVERY SYSTEMS, INC.

DATE 07-OCT-2013