

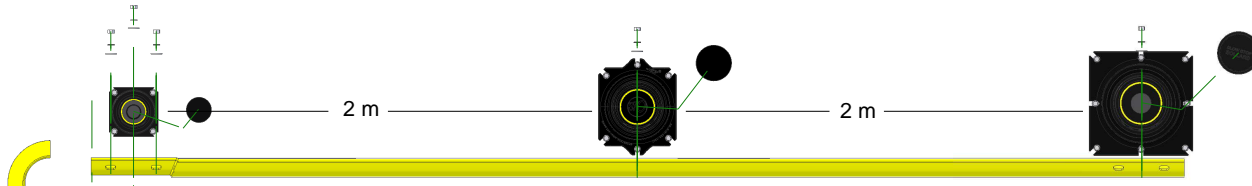
**SLOW STOP
BOLLARD**



SS4Y-42 - 4" BOLLARD

SS4Y-42 - 5" BOLLARD

SS6Y-42 - 6" BOLLARD



R-SSRB - REFLECTOR BASE
(KEEPER PLATE)

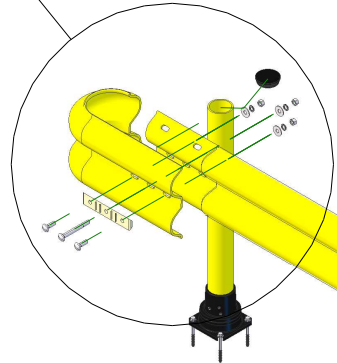
IM-SS-CB-6 - 5/8" X 6" CARRIAGE BOLT
FOR 4" THRU PIPE INSTALLATION

IM-SS-CB-2 - 5/8" X 2" CARRIAGE BOLT
FOR END CAP ATTACHMENT

IM-SS-CB-3 - 5/8" X 3" CARRIAGE BOLT
FOR ONE SIDED INSTALLATION

FLAT WASHER, LOCK
WASHER, HEX NUT

A

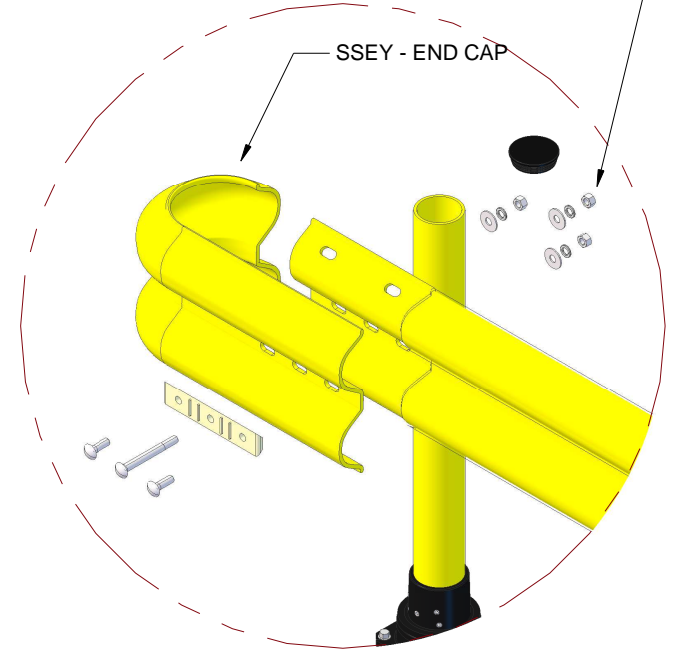


SS4Y-42 - 4" BOLLARD

SSRY-4 - PC GUARDRAIL
4 METER SECTION
COMES WITH 4" BOLT HARDWARE
AND TWO REFLECTOR BASES.

SS4Y-42 - 5" BOLLARD

SS6Y-42 - 6" BOLLARD



SSEY - END CAP

Detail A

HEIGHT: ABOUT 41.5" TO TOP OF RAIL

**IMPACTrecovery
SYSTEMS**

"Performance for a Safer Tomorrow"

CONFIDENTIAL & PROPRIETARY

The drawing on this print and the information therewith are property of Impact Recovery Systems, Inc., and shall not be used or discussed in whole or in part without the consent of Impact Recovery Systems, Inc.

4955 STOUT DR. · SAN ANTONIO, TX 78219 · (800) 736-5256

SIZE

A

SCALE

PART NO.

DWG.

PC GUARDRAIL INSTALLATION DEMO

IMPACT RECOVERY SYSTEMS, INC.

REV

1.0

DATE 26-MAY-2015